

Miniature 12 & 20 Amp General Purpose Relay PC834



FEATURES

- 12 Amp Continuous Contact Capacity
- 1 Form A Contact Form
- Smallest 12 Amp Relay
- Class “B” Insulation Standard
- Class “F” Insulation Available
- 2.5 kV Dielectric Between Coil and Contacts
- Lead Free and RoHS Compliant

UL / CUL Ratings



Load Type	Voltage	1 Form A
General Purpose	277 VAC	10 A
	125 VAC	12 A
	30 VDC	10 A
Resistive	277 VAC	10 A
	125 VAC	12 A
	30 VDC	10 A
TV-5	125 VDC	5 A

CROSS REFERENCES

Song Chuan 834
834-1A-F-V-12VDC Crosses to PC834-1A-12SF-X

CONTACT DATA

Material	AgCdO (Silver Cadmium Oxide)	
Initial Contact Resistance	50 milliohms max @ 0.1 A, 6 VDC	
Service Life	Mechanical	1 X 10 ⁷ Operations
	Electrical	1 X 10 ⁵ Operations
Max. Switching Current	12 Amps	
Max. Switching Power	300 W, 2.77 VA	
Max. Switching Voltage	30 VDC, 300 VAC	

CHARACTERISTICS

Operate Time	25 ms Max
Release Time	25 ms Max
Insulation Resistance	100 MΩ min (at 500 VDC)
Dielectric Strength	1,000 V5 Between Contacts
	2,500 V 50 Hz Between Contact and Coil
Vibration Resistance	10 Hz - 55 Hz DA 1.5 mm
Power Consumption	1 & 2 Pole DC 0.9 W, AC 1.2 VA

CHARACTERISTICS CONT.

Terminal Strength	5N
Solderability	260°C for 5 seconds
Storage Temperature	-40°C to 125°C Class B, -40°C to 155°C Class F
Operating Temperature	-40°C to 70°C Class B, -40°C to 105°C Class F
Relative Humidity	85% (at 30°C)
Weight	7 grams

ORDERING INFORMATION

Example:	PC834	-1A	-12	S	F	-X
Model:	PC834					
Contact Form:	1A					
Coil Voltage:	3, 5, 6, 9, 12, 18, 24					
Enclosure:	S: Epoxy Sealed Non-Washable; C: Flux Free					
Insulation System:	Nil: Class B (125°C), F: Class F (155°C)					
RoHS Compliant:	-X					

Box Quantity: 2,000; Inner Box: 1,000

COIL DATA

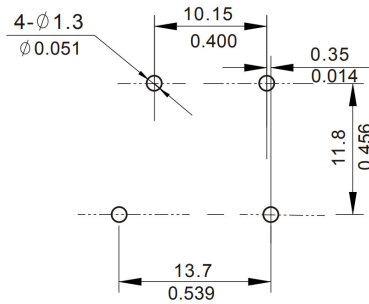
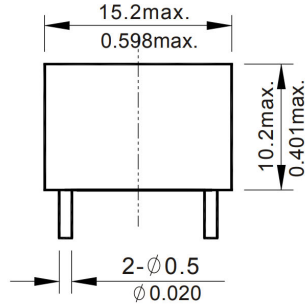
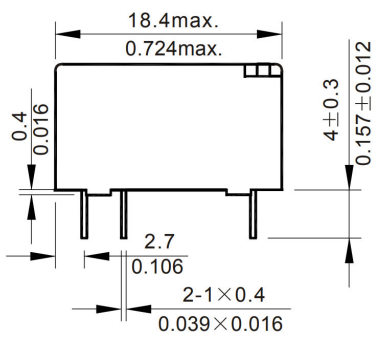
Coil Voltage	Resistance Ohms $\pm 10\%$	Must Operate Voltage Max. (VDC)	Must Release Voltage Max. (VDC)	Continuous Voltage Max. (VDC)
3	20	2.25	0.15	3.9
5	56	3.75	0.25	6.5
6	80	4.5	0.30	7.8
9	180	6.75	0.45	11.7
12	320	9.0	0.60	15.6
18	720	13.5	0.90	23.4
24	1280	18.0	1.20	31.2

NOTES:

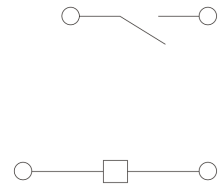
The use of any coil voltage less than the rated voltage will compromise the operation of the relays. Must Operate Voltage is listed for test purposes only and is not to be used as design criteria. Pickup and release voltages are for test purposes only and are not to be used as design criteria. Dimensions are in mm, Inches are listed for reference only.

DIMENSIONS

mm / in



Mounting



Wiring Diagram

REFERENCE DATA

